

# Technical Datasheet - 717 Series

## Socket for QFN/LGA Packages



### Features

- Clamshell design, compression surface mount
- Spring and probe contact
- Pointed probe maintains continuous contact to PCB
- Spring loaded pressure pad and locater plate
- Pointed top interface to DUT pad
- Multi-site options are available
- Any pitch or pitch combination .4mm and greater
- Threaded inserts available
- Available with high performance pin



### Materials and Specifications

Body Materials	PEI, PES, or Equivalent
Contact Materials	Beryllium Copper Alloy
Contact Plating	Gold over Nickel
Contact Force	12-15 grams average
Contact Resistance	350 mΩ typical
Temperature Rating	Burn-in 125°C, Higher Temperatures, consult Boyd representative
Durability	10,000 cycles min.

Pitch e (mm)	Maximum Lead Count	Minimum Body Size	Maximum Body Size	Maximum Matrix
0.50	484	1 x 1 *	16 x 14	22 x 22
0.65	441	1 x 1 *	16 x 14	21 x 21
1.00	121	1 x 1 *	16 x 14	11 x 11

\* For package size less than 1 X 1, reach out to your Boyd representative. For all other pitches, see next page

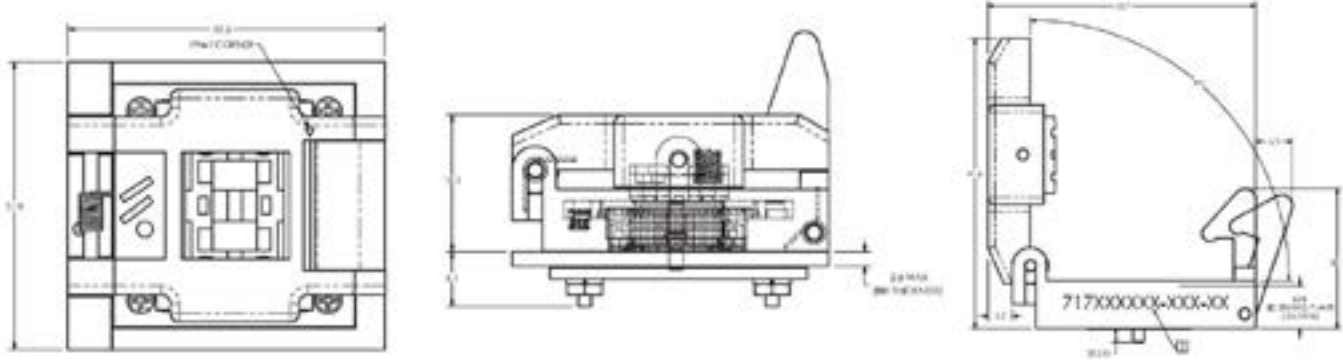
NOTICE: The information included in this data sheet is believed to be accurate and reliable. Boyd assumes no responsibility for end use applications and no performance warranty is expressed or implied.

Pitch e (mm)	Package Size (mm)	Matrix	Part Number
0.50	1.45X1	3X2	717-00601A500-XX
	1.6X1.6	3X2	717-00601CS00-XX
	2.23X1.5	4X2	717-00802P500-XX
	2.26X2.08	4X2	717-00802N500-XX
	2.50X 2.50	4X4	717-015402A-5XX-XX
	3.0X3.0	5X5	717-02403-500-XX
	3.5X3.5	Custom	717-02003C500-XX-01
	4X4	7X7	717-04104-500-XX-01
	4X4	7X7	717-04804-5XX-XX
	4X4	7X7	717-04804-500-XX
	4.8X3.45	8X5	717-04004E500-XX-01
	5.0X5.0	Custom	717-03205-500-XX-01
	5X4	9x9	717-05605-500-XX
	5X4	9x9	717-08005-500-XX
	5X4	9x9	717-08105-5XX--XX
	5x5	7x7	717-04805-500-XX
	5x5	9x9	717-06405-500-XX
	6.22X6.22	10x10	717-08306-5XX--XX
	6x4	11x6	717-04806A500-XX
	6x4	11x6	717-04806A5XX-XX
	6.5X6.5	10x10	717-08406E500-XX
	6x6	11x11	717-09606-XXX-XX
	6x6	11x11	717-12006-5XX--XX
	7x7	11x11	717-07207-500-XX
	7x7	12x12	717-10407-500-XX
	7x7	13x13	717-12007-5XX--XX
	7x7	12x12	717-14307-5XX--XX
	7x7	13x13	717-16807-5XX--XX
	8x8	14x14	717-02203A600-XX
	8x8	15x15	717-14408-500-XX
	9x9	16x16	717-11209-5XX-XX
	9x9	16x16	717-14809-5XX--XX
	9x9	16x16	717-17609-5XX--XX
9x9	17x17	717-18809-5XX-XX	
10x10	19x19	717-24010-500-XX	
11x11	20x20	717-30411-500-XX	

NOTICE: The information included in this data sheet is believed to be accurate and reliable. Boyd assumes no responsibility for end use applications and no performance warranty is expressed or implied.

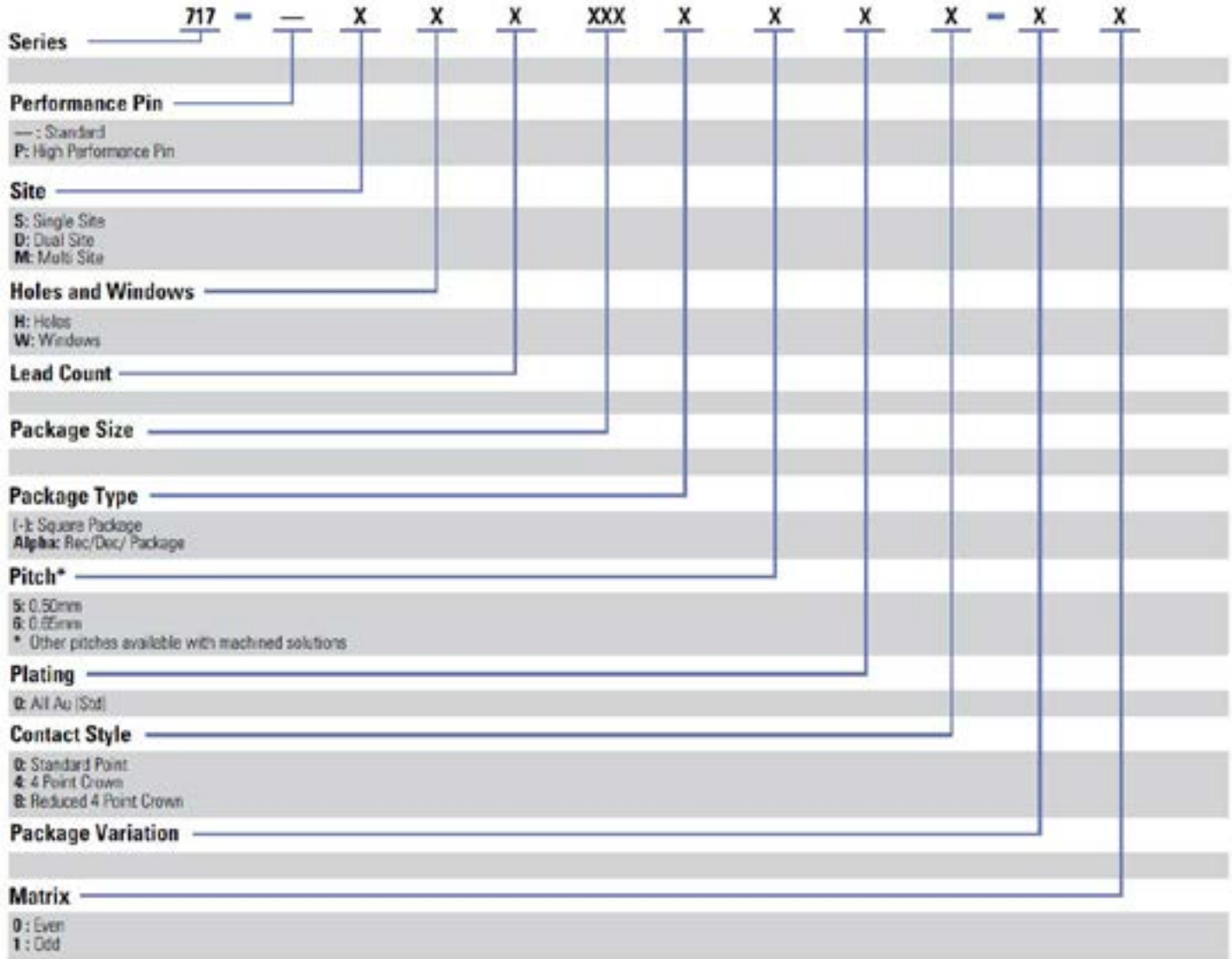
Pitch e (mm)	Package Size (mm)	Matrix	Part Number
0.60	3.5x6.5	5x8	717-03606J500-XX-01
0.65	10x4.5	14x6	717-08310A-600-XX
	15x15	21x21	717-32115-6XX--XX
	3.0x3.0	Custom	717-00803-600-XX-01
0.68	5.41X3.83	7x5	717-03205B600-XX
1.00	7.5X4.4	6x2	717-01607F500-XX
1.27	5.0x6.0	4x2	717-00806G001-XX-01
	10x10	Custom	717-02810-000-XX-01
	15.5x10.5	11x8	717-08715AXXX-XX

## Dimensions and Diagrams



NOTICE: The information included in this data sheet is believed to be accurate and reliable. Boyd assumes no responsibility for end use applications and no performance warranty is expressed or implied.

Description and Ordering Information



NOTICE: The information included in this data sheet is believed to be accurate and reliable. Boyd assumes no responsibility for end use applications and no performance warranty is expressed or implied.