

# Double Width Double Inlet Blowers



## DOUBLE WIDTH DOUBLE INLET BLOWER

Double Width Double inlet (DWDI) Blowers are high performance alternatives to dual axial fan assemblies. Aavid's patented design features a left and right hand blower constructed around a central 3-phase brushless motor that offers high efficiency, low noise, and high reliability.

Expert design and tightly controlled manufacturing processes enable Aavid's DWDI blowers to maintain high air flow rates while still maintaining low acoustic levels. Solutions utilizing Aavid's DWDI blowers benefit from sound power reductions measuring between 6 and 10dBA at the same flow rates as a dual axial fan, or an additional 30% to 70% more flow at an equivalent noise level. An added benefit is reduced tonality versus dual axial fans, which results in a more pleasing acoustic spectrum as well as lower induced vibration for sensitive system components.

## ORDERING INFORMATION

Contact your Aavid representative for more information, or contact us at [www.boydcorp.com/boyd-contact](http://www.boydcorp.com/boyd-contact)

Aavid offers a wide range of air cooling technologies including fully customized fan or blower trays, optimized heat sinks, integrated EMI/RFI solutions, air baffles, air diverters, and filters to meet application requirements for cost effective, high performance products.

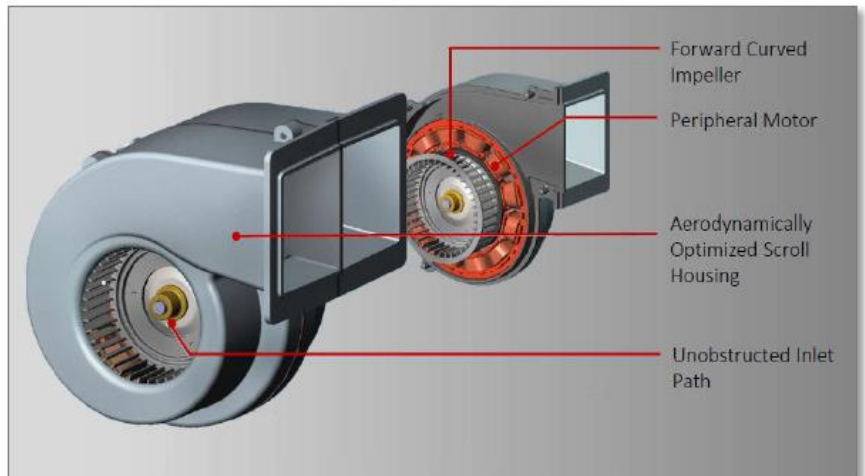
## FEATURES & BENEFITS

### Features and Benefits

*Major acoustic vibration reduction limits hard drive read-write errors, increasing the integrity of high performance data systems.*

*Optimized scroll housing focuses air flow to provide higher heat transfer with targeted airflow*

*Improves compliance with Network Equipment-Building System (NEBS) and European Telecommunications Standards Institute (ETSI) requirements*

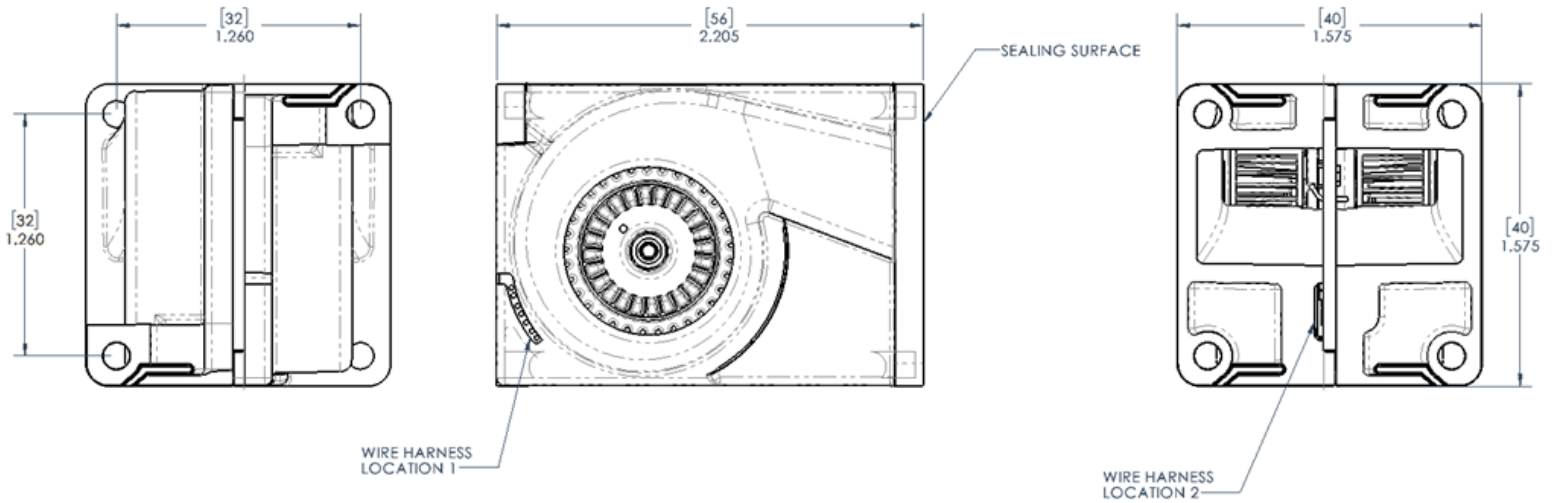


# Double Width Double Inlet Blowers

## MECHANICAL

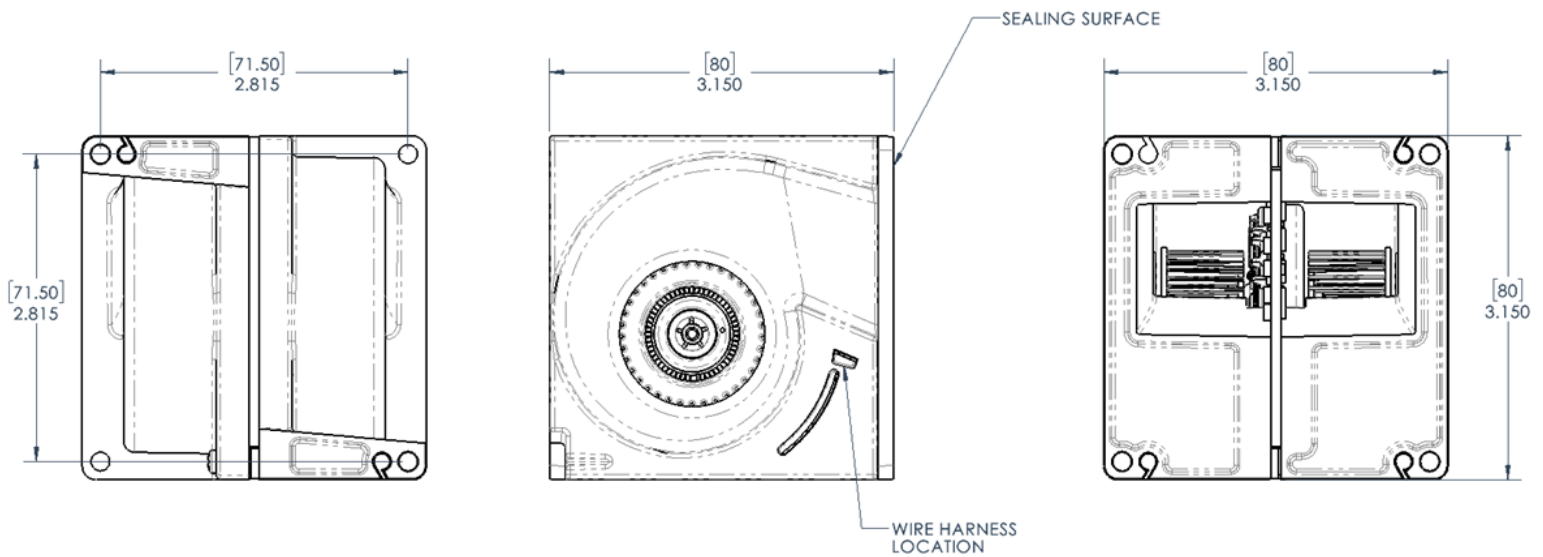
### 40mm DWDI Blower

Dimensions are shown in inches (mm)



### 80mm DWDI Blower

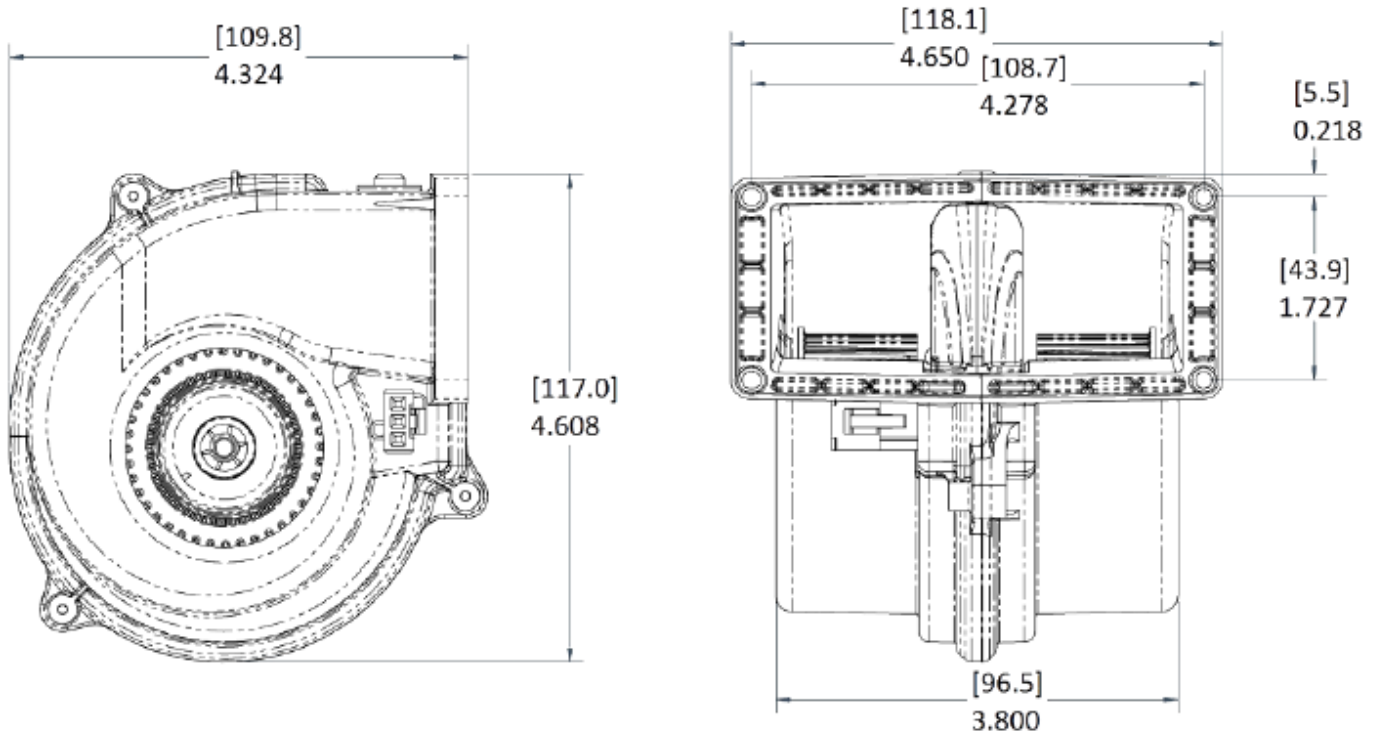
Dimensions are shown in inches (mm)



## MECHANICAL (continued)

### 120mm DWDI Blower

Dimensions are shown in inches (mm)



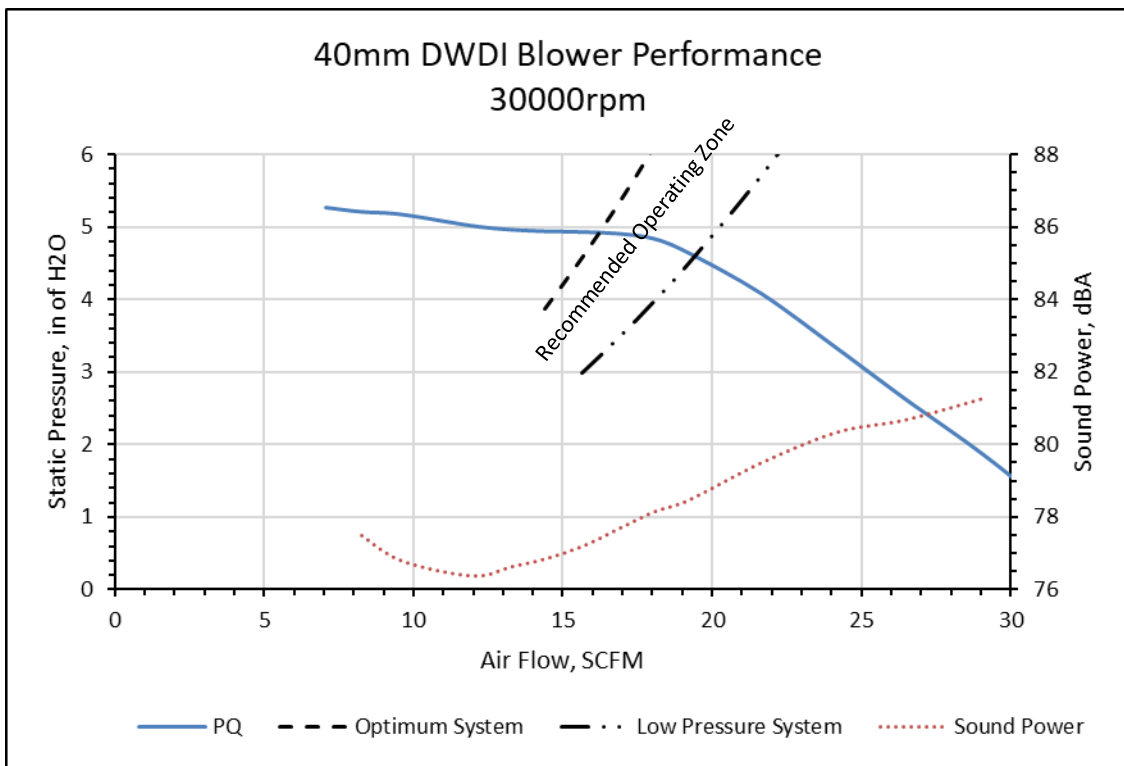
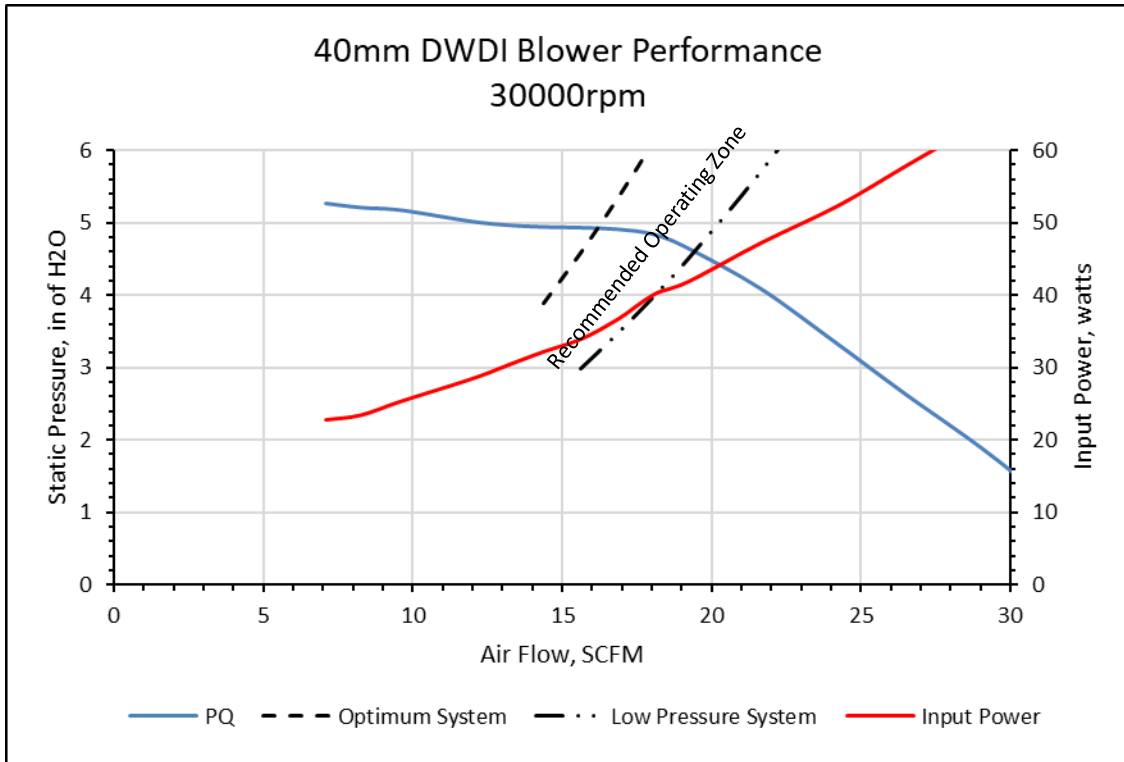
#### Design Notes:

1. Blower housings as shown are soft tooled, and are therefore customizable to fit application requirements prior to hard tooling.
2. 40mm design includes integrated drive electronics with 12VDC input, common, PWM speed control, and tach output connections.
3. 80mm design includes integrated drive electronics with 48VDC input, common, PWM speed control, and tach output connections.
4. 120mm design currently uses external drive circuitry, but an integrated 48VDC drive version is in development.

# Double Width Double Inlet Blowers

PERFORMANCE

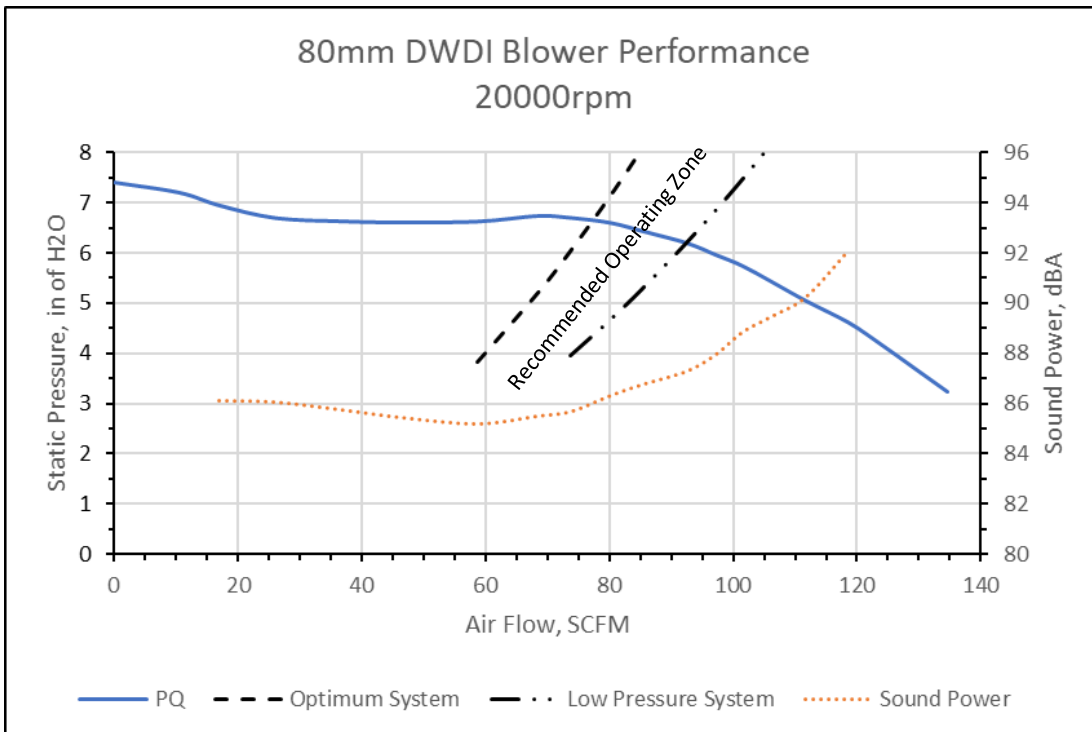
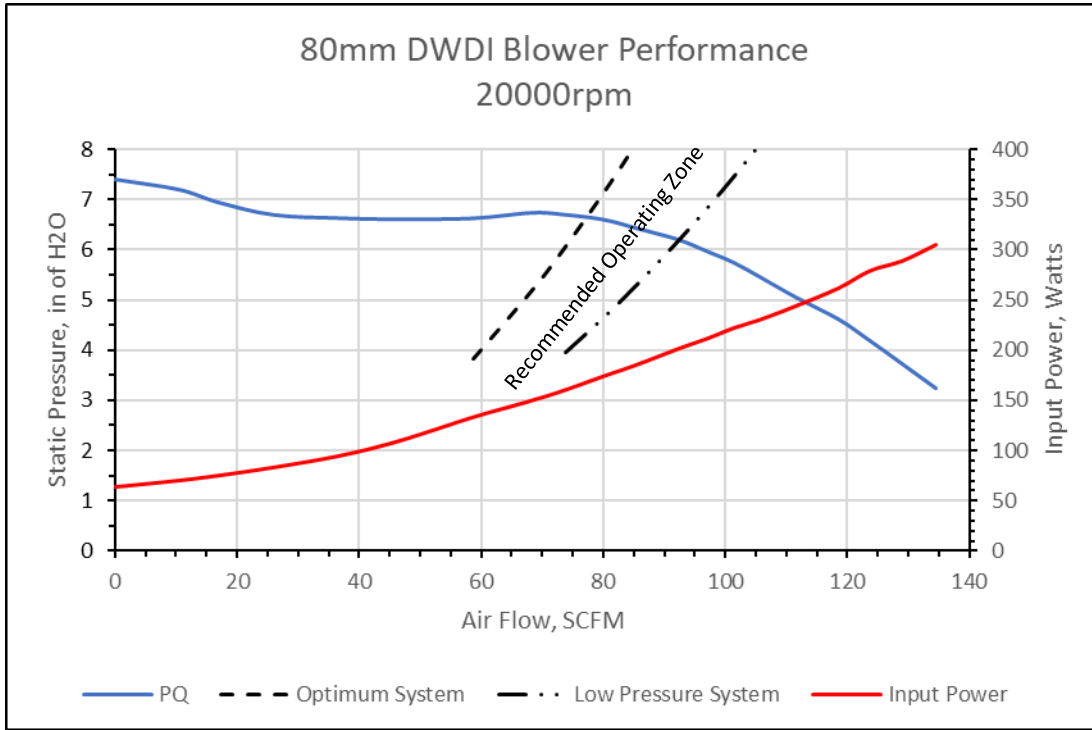
40mm DWDI Blower



# Double Width Double Inlet Blowers

PERFORMANCE

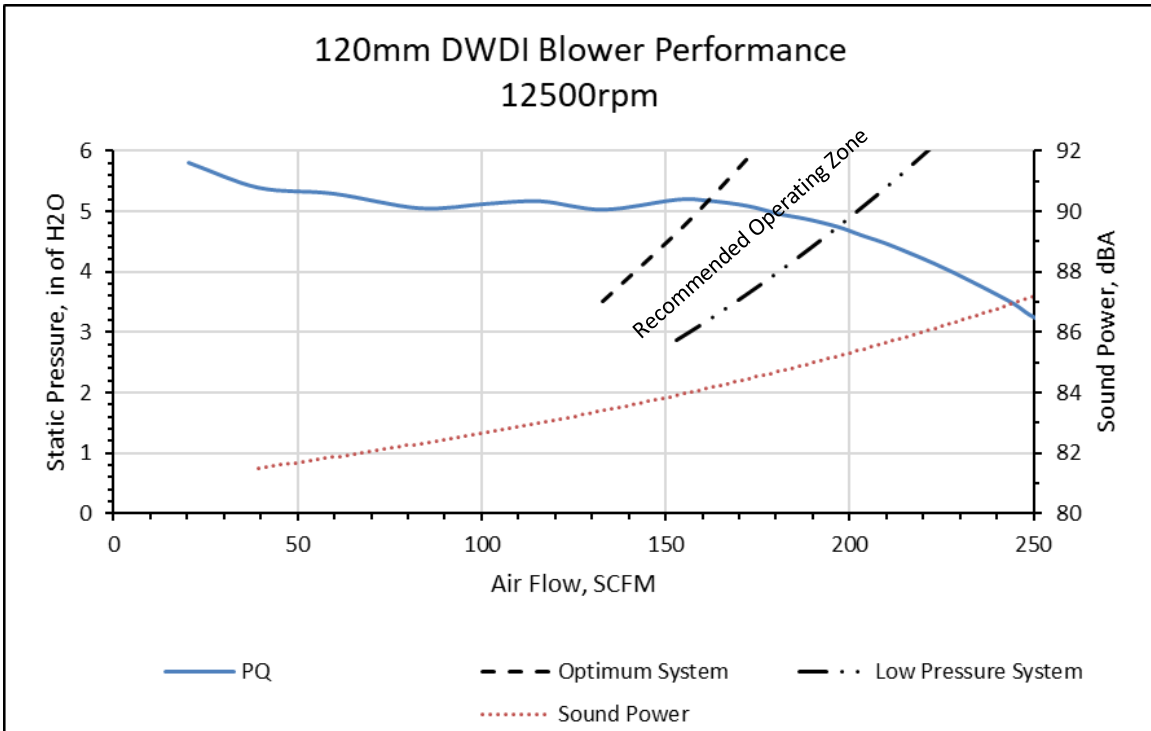
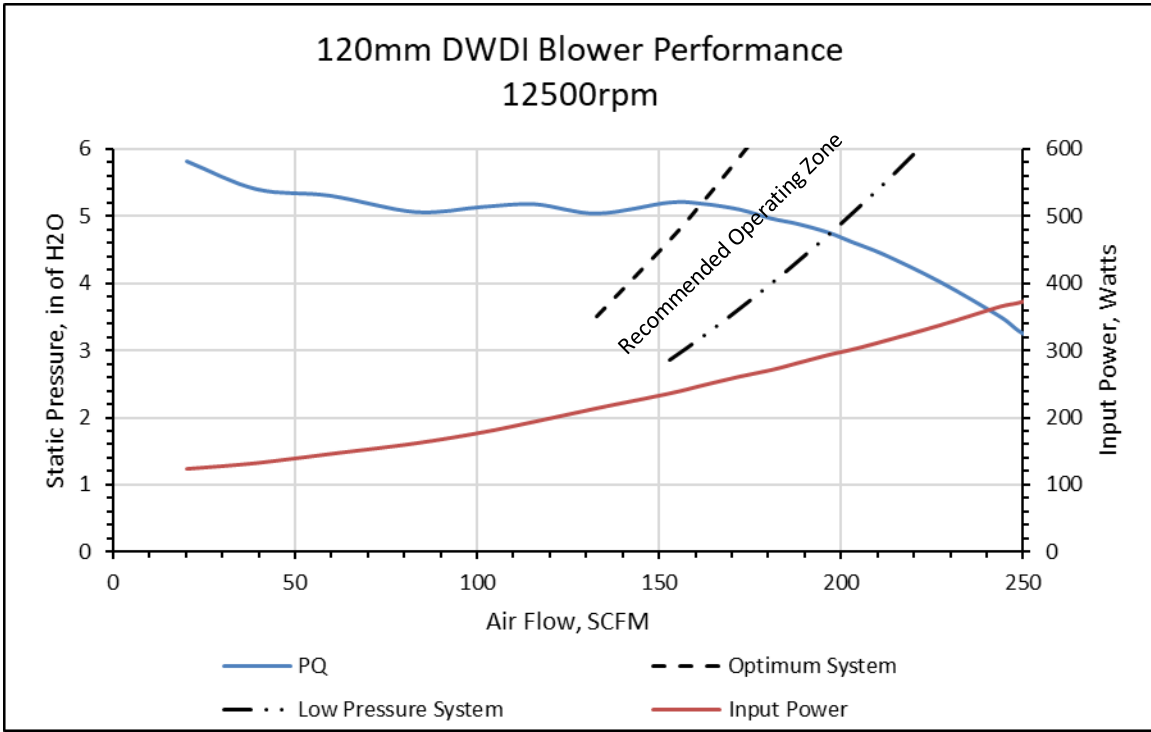
80mm DWDI Blower



# Double Width Double Inlet Blowers

PERFORMANCE

120mm DWDI Blower



# Double Width Double Inlet Blowers

## Performance Notes:

1. Blowers are variable speed and can be programmed with speed ranges/power limits tailored to specific application requirements.
2. Flow performance is measured using AMCA 210 flow measurement chamber.
3. Sound power data is measured with blower component mounted to an ISO10302 AMD plenum using a ten-microphone array in a semi-anechoic chamber.