



AAVID  
THERMALLOY

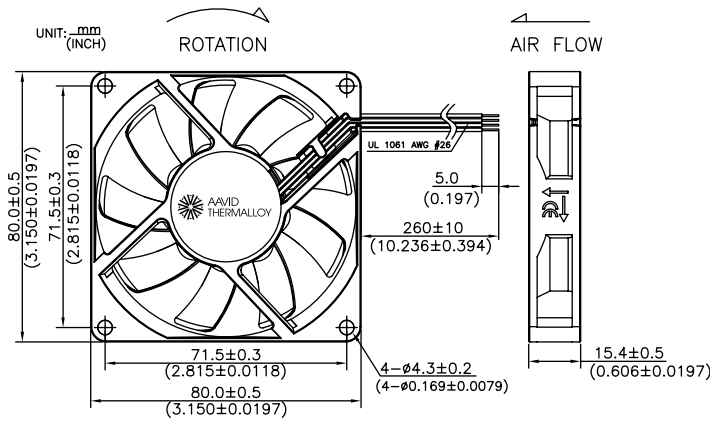
# Superior Series (PS) 80mm x 80mm x 15mm



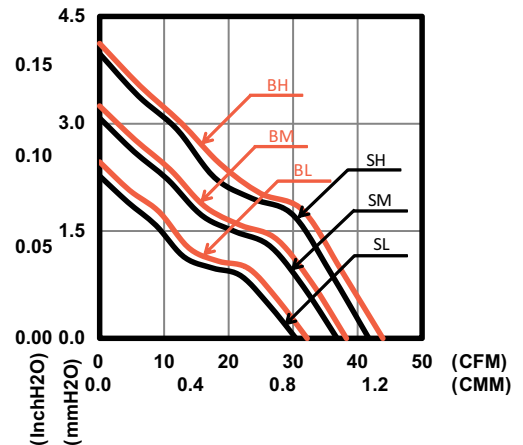
- » Bearing Type: FLB, Ball Bearing
- » Function Type (Optional): FG Signal, RD Signal, PWM
- » Protection:
  - Auto Restart Protection
  - Polarity Reverse Protection
- » Lead Wire:
  - UL 1061 AWG #26 or Equivalent
  - Red Wire: Positive (+)
  - Black Wire: Negative (-)
  - Yellow Wire: FG Signal
  - White Wire: RD Signal
  - Blue Wire: PWM

PS SERIES 8015

## DIMENSIONS DRAWING



## PERFORMANCE CURVES



## SPECIFICATION



Model	Function Type	Rated Voltage	Operating Voltage	Rated Current	Input Current	Input Power	Rated Speed	Air Flow		Air Pressure		Noise									
		VDC	VDC	Amp	Amp	Watt		RPM	CMM	CFM	mmH <sub>2</sub> O		InH <sub>2</sub> O	dBA							
PSAD08015SL	P000/PF00	5	4.5~5.5	0.22	0.17	0.85	2500	0.87	30.5	2.27	0.09	28.0									
PSAD08015SM	PR00/M000 MF00/MR00												0.35	0.28	1.40	3000	1.04	36.8	3.08	0.12	32.5
PSAD18015SL	P000/PF00	12	6~13.8	0.12	0.09	1.08	2500	0.87	30.5	2.27	0.09	28.0									
PSAD18015SM	PR00/M000												0.20	0.16	1.92	3000	1.04	36.8	3.08	0.12	32.5
PSAD18015SH	MF00/MR00												0.24	0.19	2.28	3400	1.18	41.8	3.98	0.16	36.5
PSAD08015BL	P000/PF00	5	4.5~5.5	0.22	0.16	0.80	2600	0.91	32.3	2.46	0.10	28.5									
PSAD08015BM	PR00/M000 MF00/MR00												0.35	0.26	1.30	3100	1.09	38.3	3.25	0.13	35.0
PSAD18015BL	P000/PF00	12	6~13.8	0.12	0.09	1.08	2600	0.91	32.3	2.46	0.10	28.5									
PSAD18015BM	PR00/M000												0.20	0.16	1.92	3100	1.09	38.3	3.25	0.13	35.0
PSAD18015BH	MF00/MR00												0.24	0.16	2.16	3500	1.25	44.0	4.13	0.16	38.0

\* Specifications are subject to change without notice