



AAVID
THERMALLOY

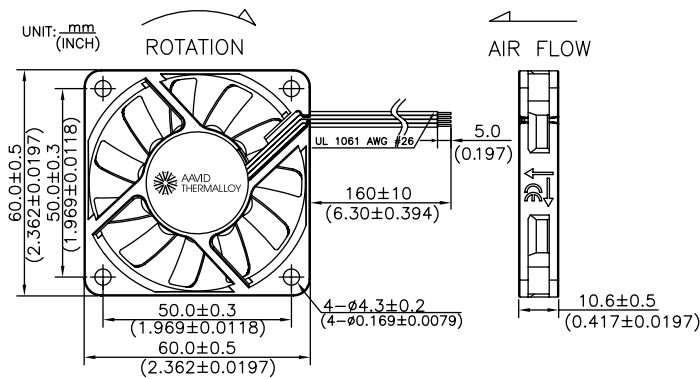
Superior Series (PS) 60mm x 60mm x 10mm



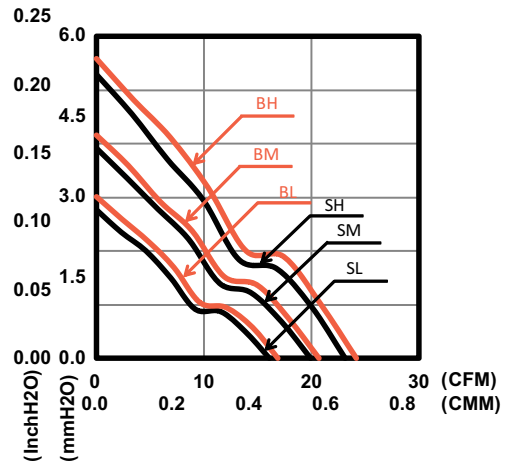
- » Bearing Type: FLB, Ball Bearing
- » Function Type (Optional): FG Signal, RD Signal, PWM
- » Protection:
 - Auto Restart Protection
 - Polarity Reverse Protection
- » Lead Wire:
 - UL 1061 AWG #26 or Equivalent
 - Red Wire: Positive (+)
 - Black Wire: Negative (-)
 - Yellow Wire: FG Signal
 - White Wire: RD Signal
 - Blue Wire: PWM

PS SERIES 6010

DIMENSIONS DRAWING



PERFORMANCE CURVES



SPECIFICATION



Model	Function Type	Rated Voltage	Operating Voltage	Rated Current	Input Current	Input Power	Rated Speed	Air Flow		Air Pressure		Noise
		VDC	VDC	Amp	Amp	Watt	RPM	CMM	CFM	mmH ₂ O	InH ₂ O	
PSAD06010SL	P000/PF00 PR00/M000 MF00/MR00	5	4.5~5.5	0.23	0.18	0.90	3800	0.46	16.1	2.77	0.11	29.5
PSAD16010SL	P000/PF00	12	6~13.8	0.11	0.09	1.08	3800	0.46	16.1	2.77	0.11	29.5
PSAD16010SM	PR00/M000	12	6~13.8	0.18	0.14	1.68	4600	0.56	19.9	3.92	0.15	34.5
PSAD16010SH	MF00/MR00	12	6~13.8	0.26	0.21	2.52	5300	0.66	23.2	5.28	0.21	38.5
PSAD06010BL	P000/PF00 PR00/M000 MF00/MR00	5	4.5~5.5	0.23	0.18	0.90	4000	0.48	16.9	3.01	0.12	31.0
PSAD16010BL	P000/PF00	12	6~13.8	0.11	0.09	1.08	4000	0.48	16.9	3.01	0.12	31.0
PSAD16010BM	PR00/M000	12	6~13.8	0.18	0.15	1.80	4800	0.59	20.7	4.16	0.16	36.0
PSAD16010BH	MF00/MR00	12	6~13.8	0.26	0.20	2.40	5500	0.69	24.2	5.58	0.22	40.0

* Specifications are subject to change without notice