



AAVID  
THERMALLOY

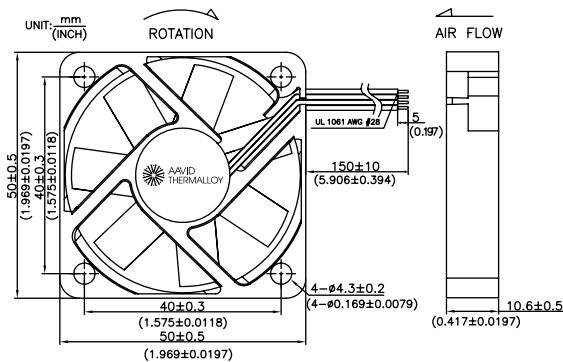
# Superior Series (PS) 50mm x 50mm x 10mm



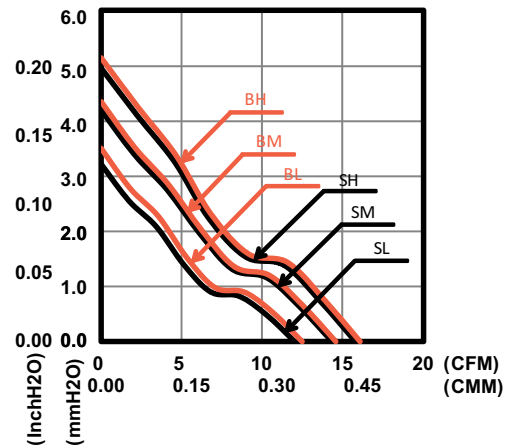
- » Bearing Type: FLB, Ball Bearing
- » Function Type (Optional): FG Signal, PWM
- » Protection:
  - Auto Restart Protection
  - Polarity Reverse Protection
- » Lead Wire:
  - UL 1061 AWG #28 or Equivalent
  - Red Wire: Positive (+)
  - Black Wire: Negative (-)
  - Yellow Wire: FG Signal
  - White Wire: RD Signal
  - Blue Wire: PWM

PS SERIES 5010

## DIMENSIONS DRAWING



## PERFORMANCE CURVES



## SPECIFICATION



| Model       | Function Type          | Rated Voltage | Operating Voltage | Rated Current | Input Current | Input Power | Rated Speed | Air Flow |      | Air Pressure |       | Noise |
|-------------|------------------------|---------------|-------------------|---------------|---------------|-------------|-------------|----------|------|--------------|-------|-------|
|             |                        | VDC           | VDC               | Amp           | Amp           | Watt        |             | RPM      | CMM  | CFM          | mmH2O |       |
| PSAD05010SL | P000/PF00<br>M000/MF00 | 5             | 4~5.75            | 0.14          | 0.10          | 0.50        | 4700        | 0.34     | 12.0 | 3.22         | 0.13  | 28.0  |
| PSAD05010SM |                        | 5             | 4~5.75            | 0.22          | 0.16          | 0.80        | 5500        | 0.41     | 14.3 | 4.19         | 0.17  | 32.0  |
| PSAD05010SH |                        | 5             | 4~5.75            | 0.28          | 0.21          | 1.05        | 6000        | 0.45     | 15.8 | 4.97         | 0.20  | 35.5  |
| PSAD15010SL | P000/PF00<br>M000/MF00 | 12            | 6~13.8            | 0.09          | 0.07          | 0.84        | 4700        | 0.34     | 12.0 | 3.22         | 0.13  | 28.0  |
| PSAD15010SM |                        | 12            | 6~13.8            | 0.11          | 0.09          | 1.08        | 5500        | 0.41     | 14.3 | 4.19         | 0.17  | 32.0  |
| PSAD15010SH |                        | 12            | 6~13.8            | 0.14          | 0.11          | 1.32        | 6000        | 0.45     | 15.8 | 4.97         | 0.20  | 35.5  |
| PSAD05010BL | P000/PF00<br>M000/MF00 | 5             | 4~5.75            | 0.14          | 0.10          | 0.50        | 4900        | 0.35     | 12.5 | 3.50         | 0.14  | 30.0  |
| PSAD05010BM |                        | 5             | 4~5.75            | 0.22          | 0.16          | 0.80        | 5600        | 0.41     | 14.6 | 4.34         | 0.17  | 33.5  |
| PSAD05010BH |                        | 5             | 4~5.75            | 0.28          | 0.21          | 1.05        | 6100        | 0.46     | 16.1 | 5.15         | 0.20  | 36.0  |
| PSAD15010BL | P000/PF00<br>M000/MF00 | 12            | 6~13.8            | 0.09          | 0.07          | 0.84        | 4900        | 0.35     | 12.5 | 3.50         | 0.14  | 30.0  |
| PSAD15010BM |                        | 12            | 6~13.8            | 0.11          | 0.09          | 1.08        | 5600        | 0.41     | 14.6 | 4.34         | 0.17  | 33.5  |
| PSAD15010BH |                        | 12            | 6~13.8            | 0.14          | 0.11          | 1.32        | 6100        | 0.46     | 16.1 | 5.15         | 0.20  | 36.0  |

\* Specifications are subject to change without notice