



AAVID  
THERMALLOY

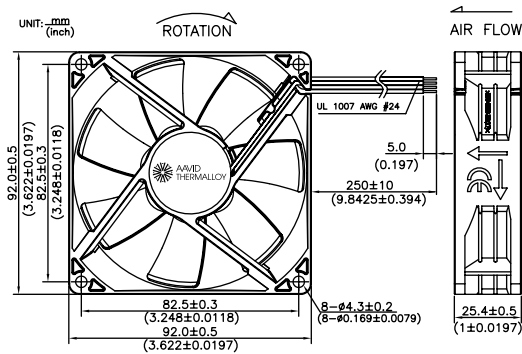
# Advance Series (PA) 92mm x 92mm x 25mm



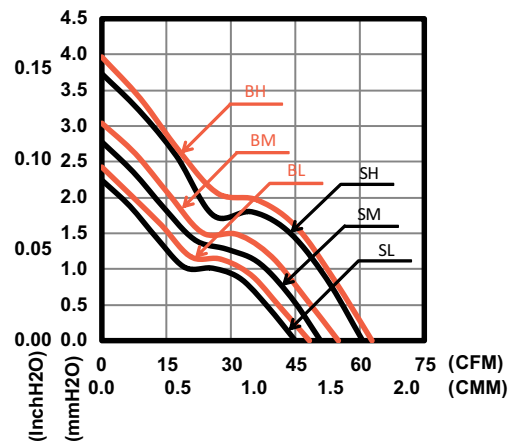
- » Bearing Type: FLB, Sleeve, Ball Bearing
- » Function Type (Optional): FG Signal
- » Protection (Optional):  
Auto Restart Protection
- » Lead Wire:  
UL 1007 AWG #24 or Equivalent  
Red Wire: Positive (+)  
Black Wire: Negative (-)  
Yellow Wire: FG Signal

PA SERIES 9225

## DIMENSIONS DRAWING



## PERFORMANCE CURVES



## SPECIFICATION



Model	Function Type	Rated Voltage	Operating Voltage	Rated Current	Input Current	Input Power	Rated Speed	Air Flow		Air Pressure		Noise
		VDC	VDC	Amp	Amp	Watt	RPM	CMM	CFM	mmH2O	InH2O	
PAAD19225SL(-)	0000/F000 P000/PF00	12	6~13.8	0.24	0.09	1.08	2000	1.28	45.0	2.25	0.09	27.0
PAAD19225SM(-)		12	6~13.8	0.28	0.14	1.68	2300	1.44	50.9	2.78	0.11	32.0
PAAD19225SH(-)		12	6~13.8	0.32	0.20	2.40	2700	1.72	60.7	3.73	0.15	35.0
PAAD29225SL(-)	0000/F000 P000/PF00	24	12~27.6	0.10	0.06	1.44	2000	1.28	45.0	2.25	0.09	27.0
PAAD29225SM(-)		24	12~27.6	0.14	0.09	2.16	2300	1.44	50.9	2.78	0.11	32.0
PAAD29225SH(-)		24	12~27.6	0.18	0.10	2.40	2700	1.72	60.7	3.73	0.15	35.0
PAAD19225BL(-)	0000/F000 P000/PF00	12	6~13.8	0.24	0.09	1.08	2100	1.37	48.4	2.42	0.10	29.0
PAAD19225BM(-)		12	6~13.8	0.28	0.14	1.68	2400	1.56	55.1	3.27	0.12	32.5
PAAD19225BH(-)		12	6~13.8	0.32	0.19	2.28	2800	1.78	63.0	3.97	0.16	36.5
PAAD29225BL(-)	0000/F000 P000/PF00	24	12~27.6	0.10	0.05	1.20	2100	1.37	48.4	2.42	0.10	29.0
PAAD29225BM(-)		24	12~27.6	0.14	0.08	1.92	2400	1.56	55.1	3.27	0.12	32.5
PAAD29225BH(-)		24	12~27.6	0.18	0.10	2.40	2800	1.78	63.0	3.97	0.16	36.5

\* Specifications are subject to change without notice