



AAVID
THERMALLOY

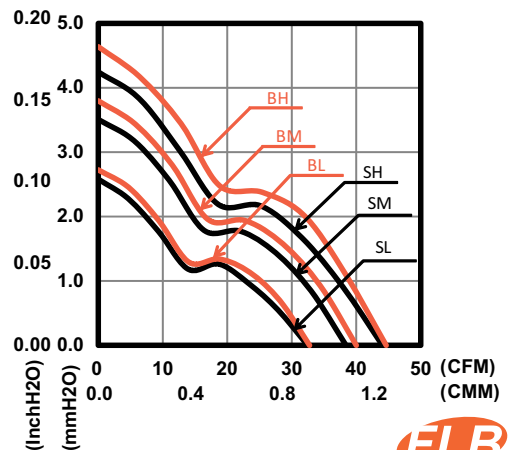
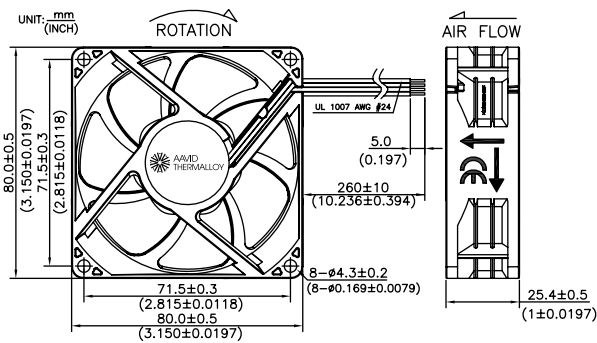
Advance Series (PA) 80mm x 80mm x 25mm



- » Bearing Type: FLB, Sleeve, Ball Bearing
- » Function Type (Optional): FG Signal
- » Protection (Optional):
Auto Restart Protection
- » Lead Wire:
UL 1007 AWG #24 or Equivalent
Red Wire: Positive (+)
Black Wire: Negative (-)
Yellow Wire: FG Signal

PERFORMANCE CURVES

DIMENSIONS DRAWING



SPECIFICATION

Model	Function Type	Rated Voltage	Operating Voltage	Rated Current	Input Current	Input Power	Rated Speed	Air Flow		Air Pressure		Noise
		VDC	VDC	Amp	Amp	Watt	RPM	CMM	CFM	mmH ₂ O	InH ₂ O	
PAAD18025SL	0000/F000	12	6~13.8	0.14	0.09	0.96	2400	0.92	32.7	2.58	0.10	25.5
PAAD18025SM		12	6~13.8	0.19	0.12	1.44	2900	1.09	38.4	3.51	0.14	31.0
PAAD18025SH		12	6~13.8	0.24	0.18	2.16	3300	1.25	44.2	4.24	0.17	34.0
PAAD18025SL-	P000/PF00	12	6~13.8	0.14	0.08	0.96	2400	0.92	32.7	2.58	0.10	25.5
PAAD18025SM-		12	6~13.8	0.19	0.12	1.44	2900	1.09	38.4	3.51	0.14	31.0
PAAD18025SH-		12	6~13.8	0.30	0.18	2.16	3300	1.25	44.2	4.24	0.17	34.0
PAAD28025SL	0000/F000	24	12~27.6	0.08	0.05	1.20	2400	0.92	32.7	2.58	0.10	25.5
PAAD28025SM		24	12~27.6	0.10	0.07	1.68	2900	1.09	38.4	3.51	0.14	31.0
PAAD28025SH		24	12~27.6	0.12	0.09	2.16	3300	1.25	44.2	4.24	0.17	34.0
PAAD28025SL-	P000/PF00	24	12~27.6	0.07	0.05	1.20	2400	0.92	32.7	2.58	0.10	25.5
PAAD28025SM-		24	12~27.6	0.12	0.07	1.68	2900	1.09	38.4	3.51	0.14	31.0
PAAD28025SH-		24	12~27.6	0.14	0.09	2.16	3300	1.25	44.2	4.24	0.17	34.0
PAAD18025BL	0000/F000	12	6~13.8	0.14	0.08	0.96	2500	0.93	32.9	2.72	0.11	26.5
PAAD18025BM		12	6~13.8	0.19	0.11	1.32	3000	1.13	40.0	3.80	0.15	32.5
PAAD18025BH		12	6~13.8	0.24	0.17	2.04	3400	1.26	44.6	4.64	0.18	35.0
PAAD18025BL-	P000/PF00	12	6~13.8	0.14	0.08	0.96	2500	0.93	32.9	2.72	0.11	26.5
PAAD18025BM-		12	6~13.8	0.19	0.11	1.32	3000	1.13	40.0	3.80	0.15	32.5
PAAD18025BH-		12	6~13.8	0.30	0.17	2.04	3400	1.26	44.6	4.64	0.18	35.0
PAAD28025BL	0000/F000	24	12~27.6	0.08	0.05	1.20	2500	0.93	32.9	2.72	0.11	26.5
PAAD28025BM		24	12~27.6	0.10	0.07	1.68	3000	1.13	40.0	3.80	0.15	32.5
PAAD28025BH		24	12~27.6	0.12	0.08	1.92	3400	1.26	44.6	4.64	0.18	35.0
PAAD28025BL-	P000/PF00	24	12~27.6	0.07	0.05	1.20	2500	0.93	32.9	2.72	0.11	26.5
PAAD28025BM-		24	12~27.6	0.12	0.07	1.68	3000	1.13	40.0	3.80	0.15	32.5
PAAD28025BH-		24	12~27.6	0.14	0.08	1.92	3400	1.26	44.6	4.64	0.18	35.0

* Specifications are subject to change without notice