



AAVID
THERMALLOY

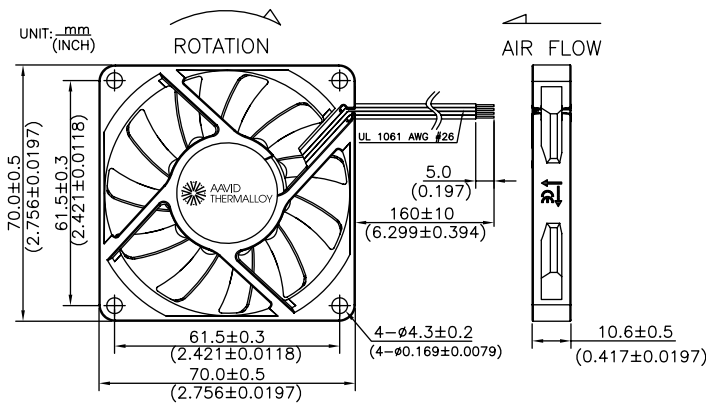
Advance Series (PA) 70mm x 70mm x 10mm



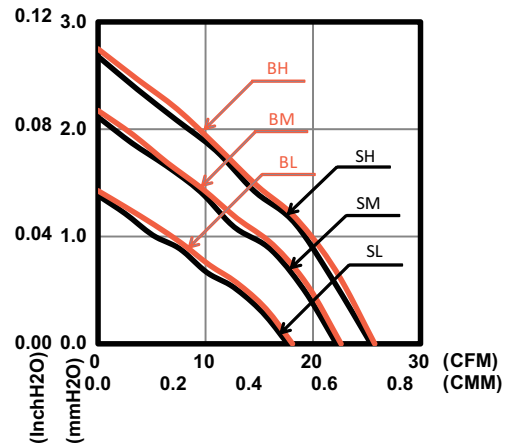
- » Bearing Type: FLB, Sleeve, Ball Bearing
- » Function Type (Optional): FG Signal
- » Protection (Optional) :
Auto Restart Protection
- » Lead Wire:
UL 1061 AWG #26 or Equivalent
Red Wire: Positive (+)
Black Wire: Negative (-)
Yellow Wire: FG Signal

PA SERIES 7010

DIMENSIONS DRAWING



PERFORMANCE CURVES



SPECIFICATION



Model	Function Type	Rated Voltage	Operating Voltage	Rated Current	Input Current	Input Power	Rated Speed	Air Flow		Air Pressure		Noise
		VDC	VDC	Amp	Amp	Watt	RPM	CMM	CFM	mmH ₂ O	InH ₂ O	dBA
PAAD07010SL	0000/F000 P000/PF00	5	4~5.75	0.20	0.16	0.80	2500	0.50	17.7	1.38	0.06	24.0
PAAD07010SM		5	4~5.75	0.33	0.26	1.30	3100	0.63	22.2	2.11	0.08	29.5
PAAD07010SH		5	4~5.75	0.43	0.34	1.70	3500	0.72	25.4	2.68	0.11	32.5
PAAD17010SL	0000/F000 P000/PF00	12	6~13.8	0.20	0.08	0.96	2500	0.50	17.7	1.38	0.06	24.0
PAAD17010SM		12	6~13.8	0.25	0.12	1.44	3100	0.63	22.2	2.11	0.08	29.5
PAAD17010SH		12	6~13.8	0.30	0.19	2.28	3500	0.72	25.4	2.68	0.11	32.5
PAAD07010BL	0000/F000 P000/PF00	5	4~5.75	0.20	0.16	0.80	2600	0.51	18.1	1.42	0.06	24.5
PAAD07010BM		5	4~5.75	0.33	0.26	1.30	3200	0.64	22.6	2.18	0.09	30.5
PAAD07010BH		5	4~5.75	0.43	0.34	1.70	3600	0.73	25.8	2.75	0.11	33.5
PAAD17010BL	0000/F000 P000/PF00	12	6~13.8	0.20	0.08	0.96	2600	0.51	18.1	1.42	0.06	24.5
PAAD17010BM		12	6~13.8	0.25	0.12	1.44	3200	0.64	22.6	2.18	0.09	30.5
PAAD17010BH		12	6~13.8	0.30	0.19	2.28	3600	0.73	25.8	2.75	0.11	33.5

* Specifications are subject to change without notice