



AAVID  
THERMALLOY

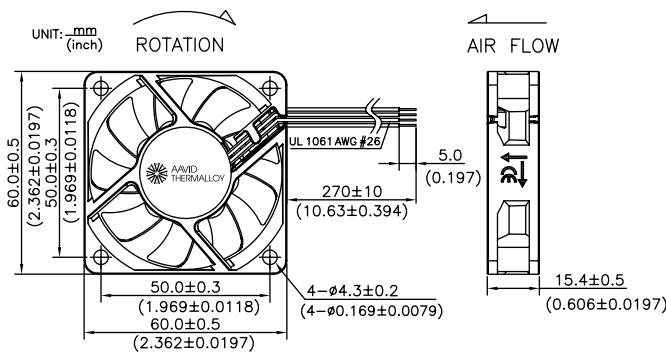
# Advance Series (PA) 60mm x 60mm x 15mm



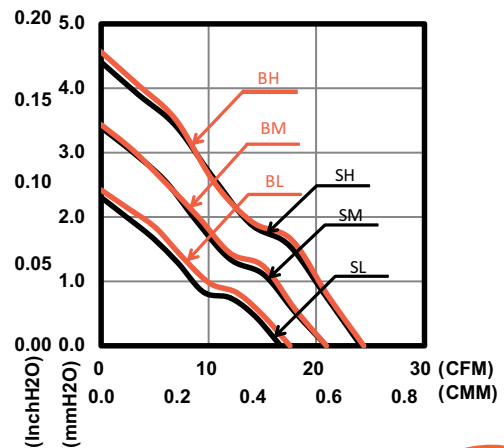
- » Bearing Type: FLB, Sleeve, Ball Bearing
- » Function Type (Optional): FG Signal
- » Protection (Optional) :  
Auto Restart Protection
- » Lead Wire:  
UL 1061 AWG #26 or Equivalent  
Red Wire: Positive (+)  
Black Wire: Negative (-)  
Yellow Wire: FG Signal

PA SERIES 6015

## DIMENSIONS DRAWING



## PERFORMANCE CURVES



## SPECIFICATION



Model	Function Type	Rated Voltage	Operating Voltage	Rated Current	Input Current	Input Power	Rated Speed	Air Flow		Air Pressure		Noise
		VDC	VDC	Amp	Amp	Watt		RPM	CMM	CFM	mmH <sub>2</sub> O	
PAAD06015SL	0000/F000 P000/PF00	5	4~5.75	0.55	0.16	0.80	3200	0.47	16.6	2.31	0.09	24.5
PAAD06015SM		5	4~5.75	0.70	0.22	1.10	3900	0.59	20.9	3.39	0.13	30.0
PAAD06015SH		5	4~5.75	0.85	0.35	1.75	4500	0.68	24.1	4.41	0.17	33.0
PAAD16015SL	0000/F000 P000/PF00	12	6~13.8	0.15	0.08	0.96	3200	0.47	16.6	2.31	0.09	24.5
PAAD16015SM		12	6~13.8	0.25	0.12	1.44	3900	0.59	20.9	3.39	0.13	30.0
PAAD16015SH		12	6~13.8	0.35	0.16	1.92	4500	0.68	24.1	4.41	0.17	33.0
PAAD26015SH	0000/F000 P000/PF00	24	12~27.6	0.20	0.09	2.16	4500	0.68	24.1	4.41	0.17	33.0
PAAD06015BL	0000/F000 P000/PF00	5	4~5.75	0.55	0.16	0.80	3300	0.50	17.5	2.42	0.10	24.5
PAAD06015BM		5	4~5.75	0.70	0.22	1.10	4000	0.59	20.9	3.43	0.14	30.5
PAAD06015BH		5	4~5.75	0.85	0.35	1.75	4600	0.69	24.4	4.56	0.18	34.5
PAAD16015BL	0000/F000 P000/PF00	12	6~13.8	0.15	0.08	0.96	3300	0.50	17.5	2.42	0.10	24.5
PAAD16015BM		12	6~13.8	0.25	0.12	1.44	4000	0.59	20.9	3.43	0.14	30.5
PAAD16015BH		12	6~13.8	0.35	0.16	1.92	4600	0.69	24.4	4.56	0.18	34.5
PAAD26015BH	0000/F000 P000/PF00	24	12~27.6	0.20	0.09	2.16	4600	0.69	24.4	4.56	0.18	34.5

\* Specifications are subject to change without notice